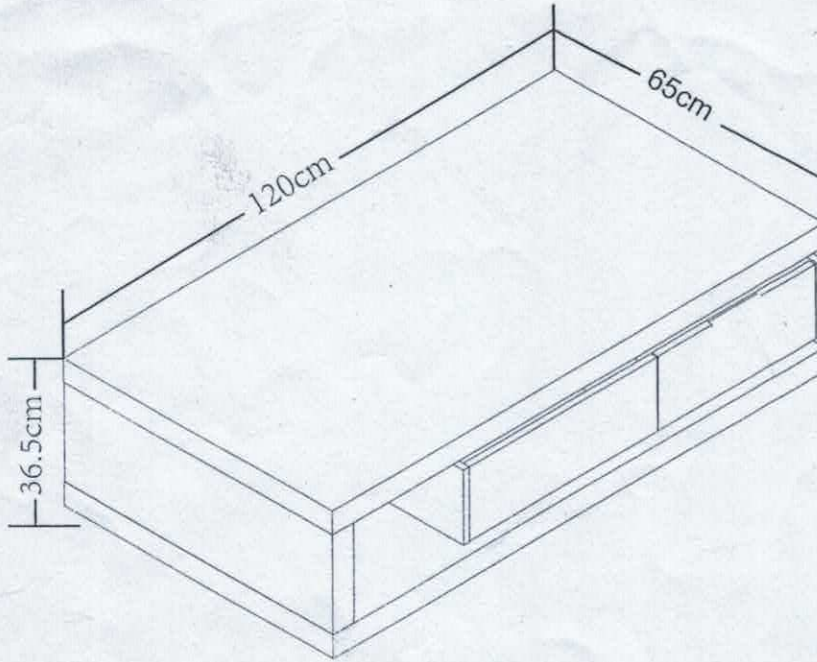


PRODUCT NAME

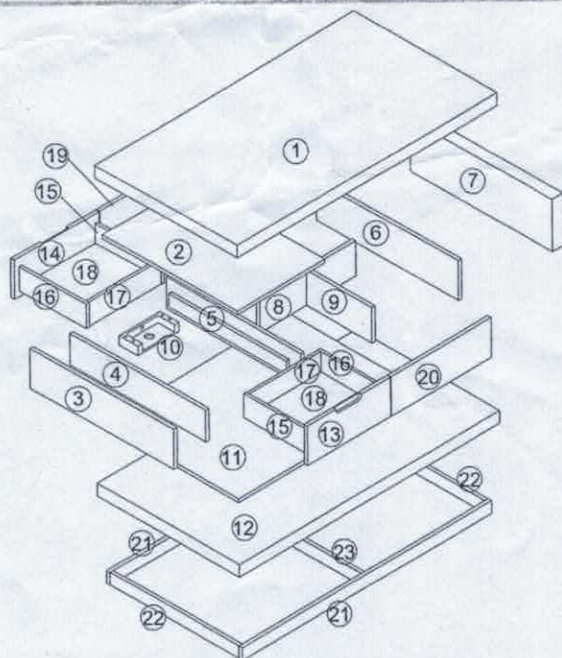
HANIMONT 120 Coffee Table



EN

1. Identify the parts which make up your piece of furniture.
2. Gather the hardware parts and count them.
3. Have the necessary assembly tools ready.
4. Organize a space for assembly, wall carpeting or a blanket will protect the furniture against scratches.
5. Never force the assembling while you put the parts together. You are recommended to tighten the screws after the furniture has been used for some time.
6. After assembling this product, it is advisable to regularly ventilate the room for a few days.

KEEP THE ASSEMBLY INSTRUCTION. THE RELEVANT INFORMATION YOU CAN FIND ON IT WILL HELP YOU GET IN TOUCH WITH YOUR STORE IF A PART WAS TO BE MISSING.



No.	Size	Qty	Ctn no.
1	1200x650x50	1	2
2	616x390x15	1	1
3	648x166x15	1	1
4	616x133x15	1	1
5	616x134x30	1	1
6	648x166x15	1	1
7	648x210x50	1	1
8	460x148x15	1	1
9	300x148x15	1	1

No.	Size	Qty	Ctn no.
10	178X85X35	1	1
11	850x616x15	1	1
12	1200x650x50	1	2
13	370x166x15	1	1
14	369x166x15	1	1
15	300x116x12	2	1
16	300x116x12	2	1
17	289x116x12	2	1
18	297x290x5	2	1

No.	Size	Qty	Ctn no.
19	475x166x15	1	1
20	475x166x15	1	1
21	1170x50x15	2	2
22	590x50x15	2	1
23	590x50x15	1	1

HARDWARE LIST

101	x 35	102	x 35	103	x 6	104	x 38	105	x 6	106	x 1	107	x 6	108	x 24	109	x 1
Ø7X32.5mm		Ø 15mm		ø20mm		Ø6x30mm		Ø 8x40mm		M5		ø4x25		Ø 4x12			
110	x 8	111	x 2	112	x 3	113	x 3	114	x 3	115	x 4	116	x 4	117	x 16	118	x 4
Ø12mm		245X245X23mm		M8x265mm		ø22mm		M8X18		Ø4x50mm		Ø10		M8X15		Ø5x50mm	
119	x 1	120	x 1	122	x 1	123	x 2	124	x 8								
127x71x19mm				41x21x12mm		L=300mm		Ø5X19.5mm									

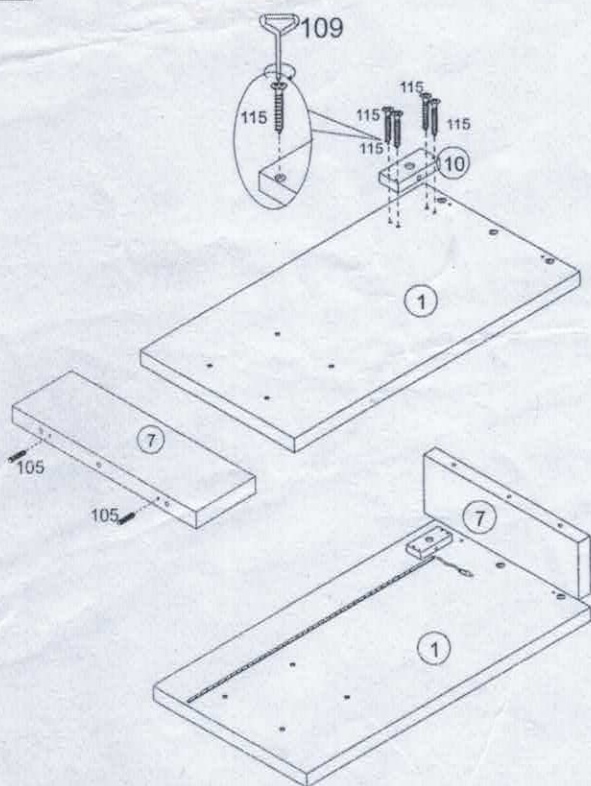


OUTILLAGE:
TOOLS:



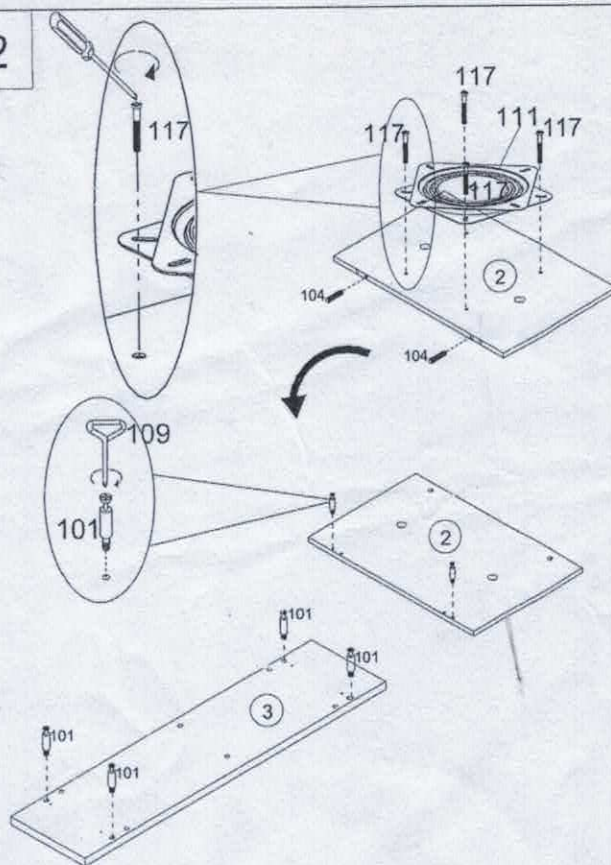
A SOFT CLOTH IS SUITABLE FOR PRODUCT CARE.

1



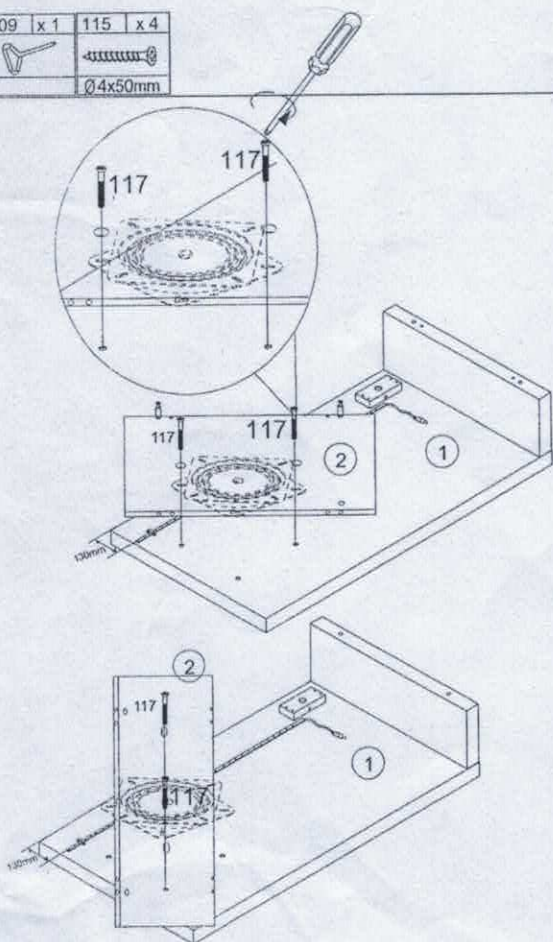
105	x2	109	x1	115	x4
Ø8x40mm				Ø4x50mm	

2



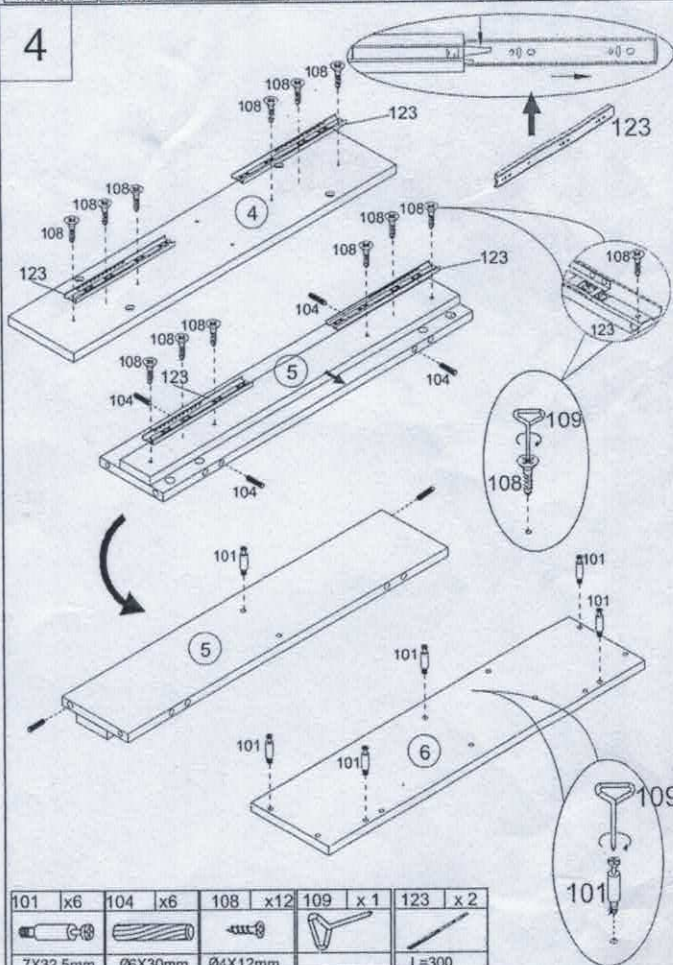
101	x6	104	x2	109	x1	117	x4	111	x1
Φ7x32.5mm		Ø6x30mm				M8X15		245X245X23mm	

3



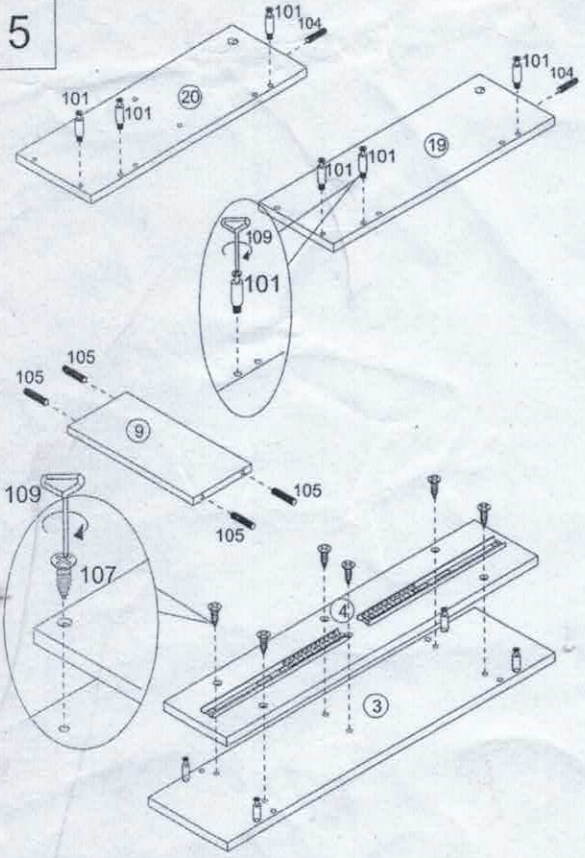
117	x4
M8X15mm	

4



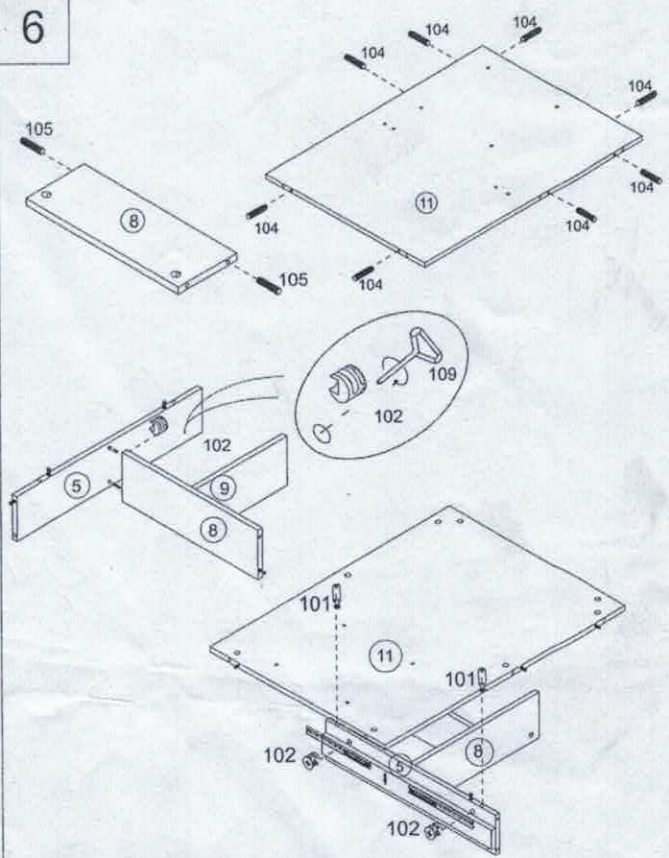
101	x6	104	x6	108	x12	109	x1	123	x2
7X32.5mm		Ø6X30mm		Ø4X12mm				L=300	

5



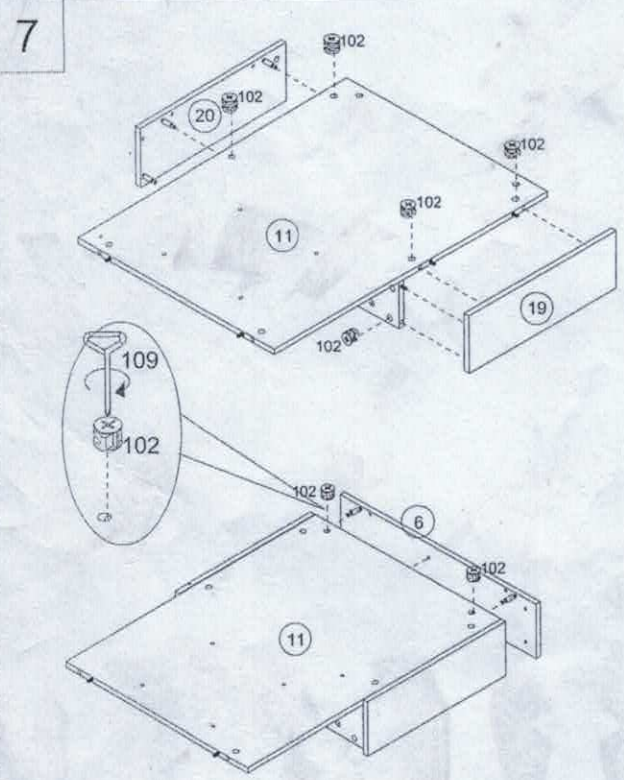
101	x 6	105	x 4	109	x 1	107	x 6	104	x 2
Φ7x32.5mm		Φ6x40mm				φ4x25mm		Φ6x30mm	

6



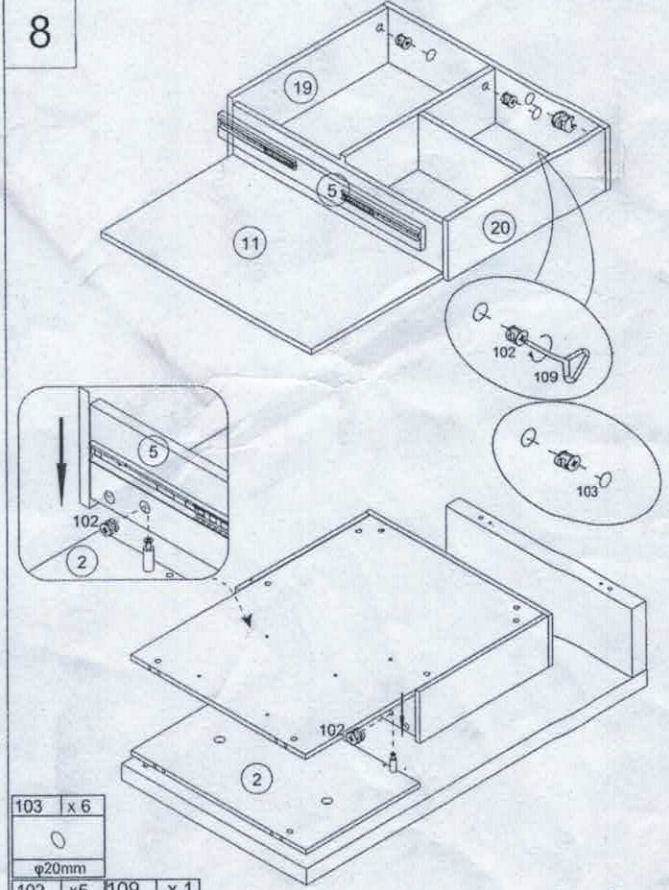
102	x 3	104	x 10	109	x 1	101	x 2
φ15		Φ6x30mm				Φ7x32.5mm	

7



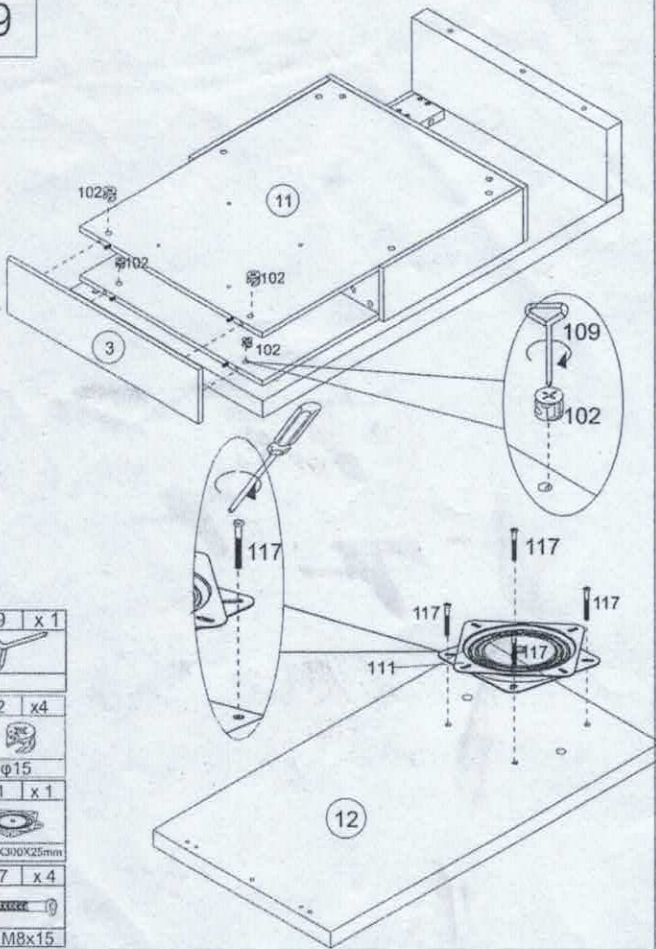
102	x 8	109	x 1
φ15			

8



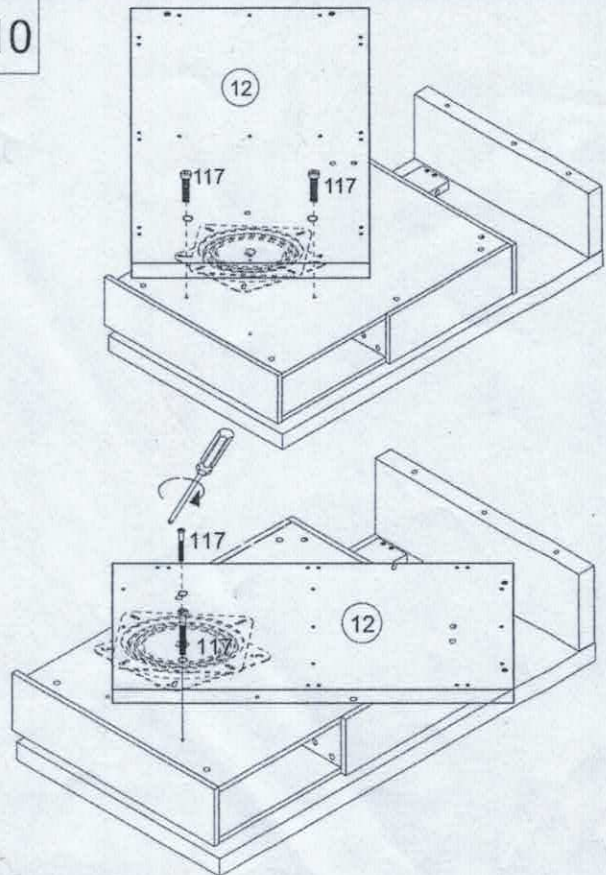
103	x 6		
φ20mm			
102	x 5	109	x 1
φ15			

9



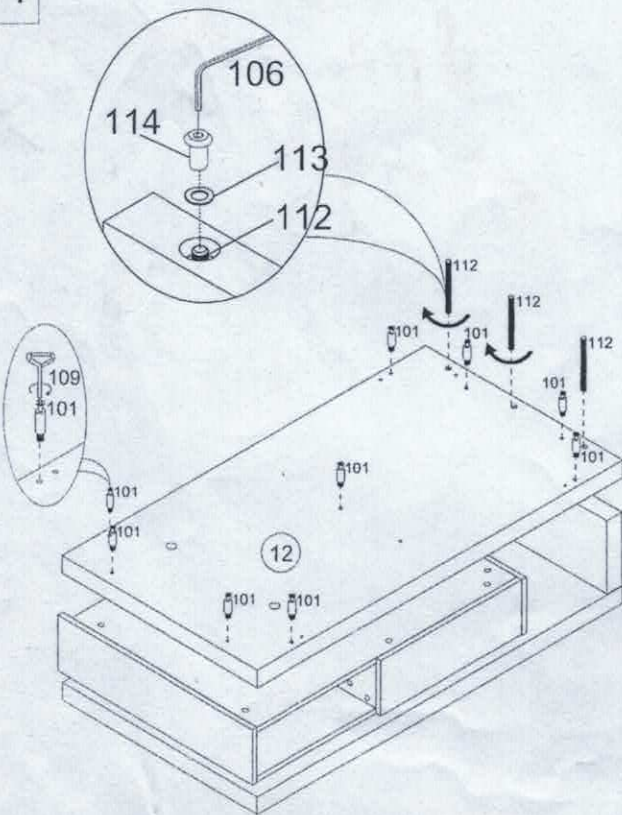
109	x 1
102	x 4
φ15	
111	x 1
300x300x25mm	
117	x 4
M8x15	

10



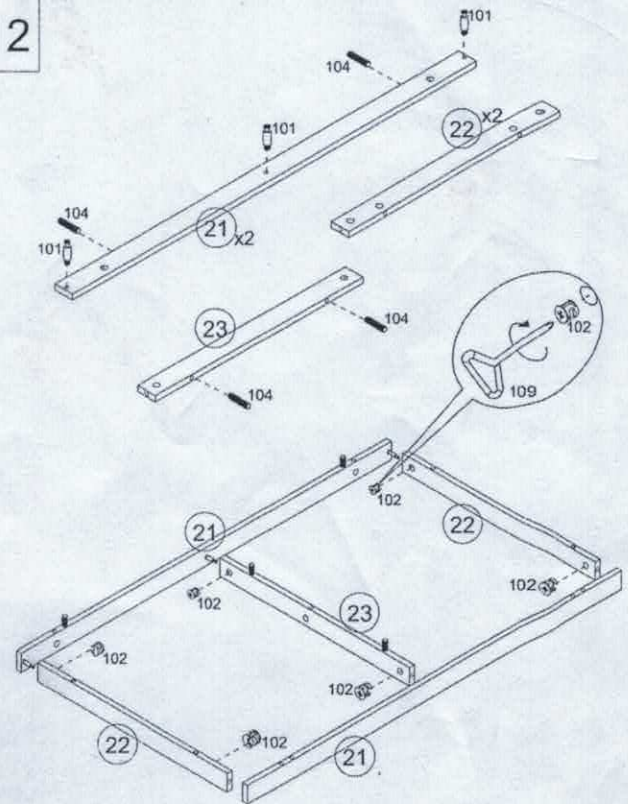
109	x 1	117	x 4
		M8x15	

11



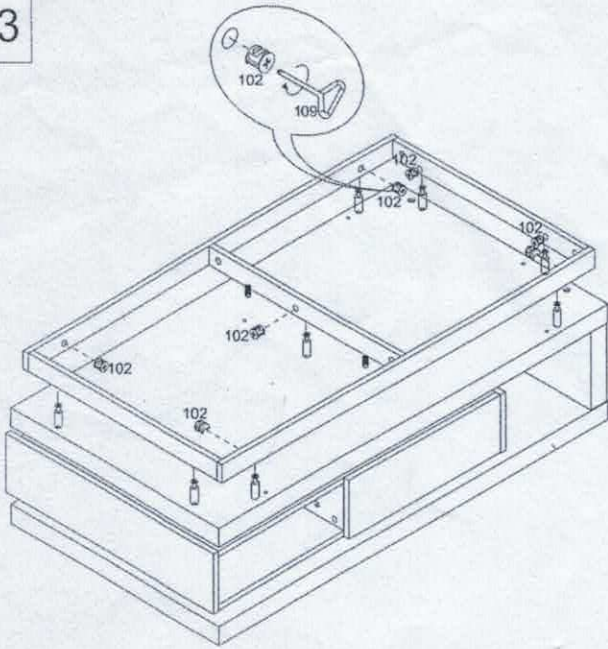
101	x 9	112	x 2	113	x 3	114	x 3	106	x 1
φ7x32.5mm		M8x265mm		φ22mm		M8X18		M5	

12



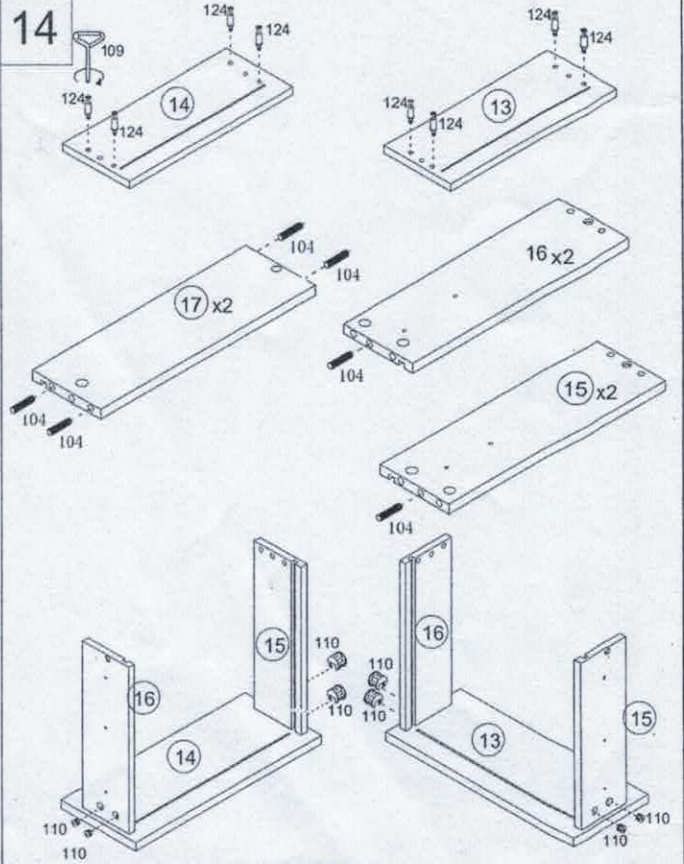
101	x 6	102	x 6	104	x 6	109	x 1
φ7x32.5mm		Φ15mm		Φ6x30mm			

13



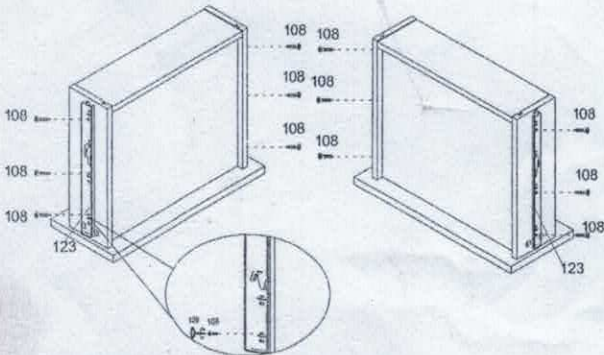
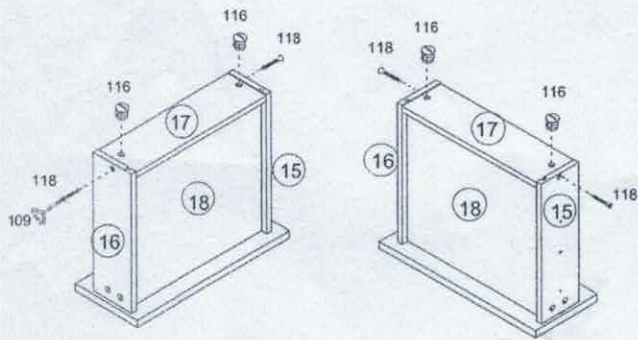
102 x 9	109 x 1
φ15	

14



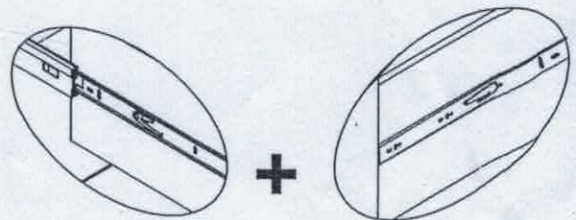
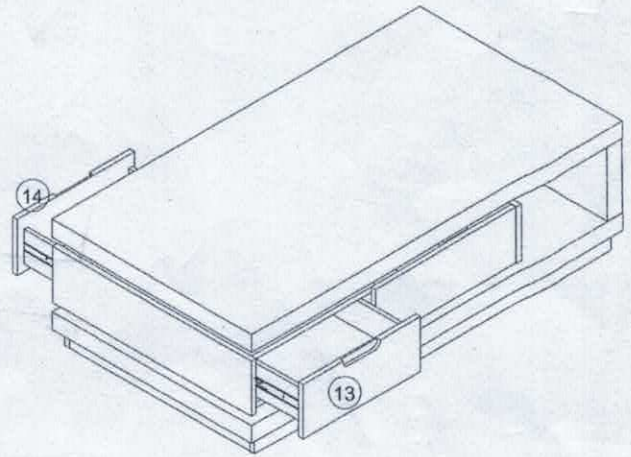
124 x 8	109 x 1	104 x 12	110 x 8
φ5X19.5mm		φ6X30mm	φ12mm

15

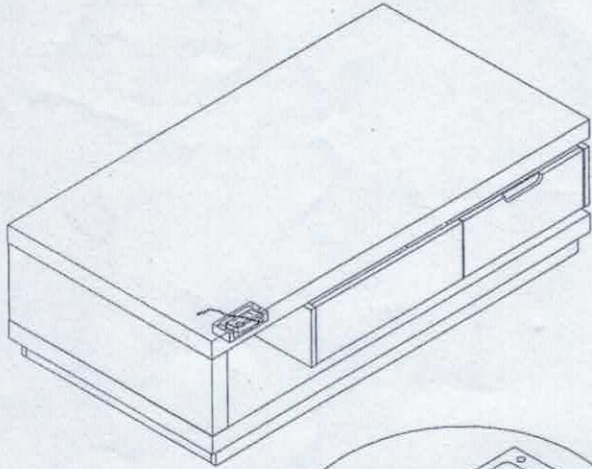
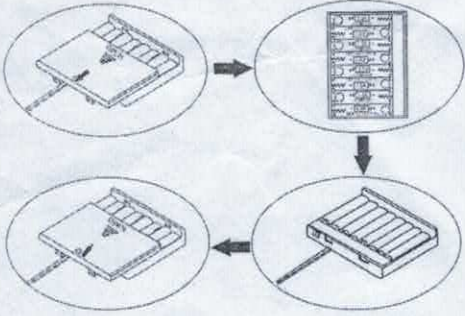



118 x 4	109 x 1	116 x 4	108 x 12	123 x 2
φ5x50mm		φ10mm	φ4x12mm	L=300mm

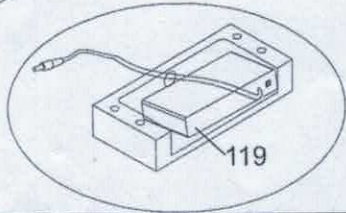
16



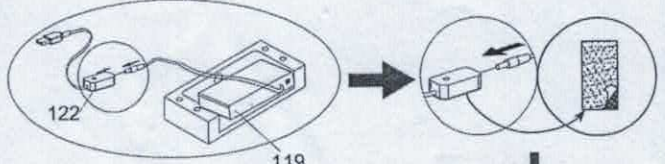
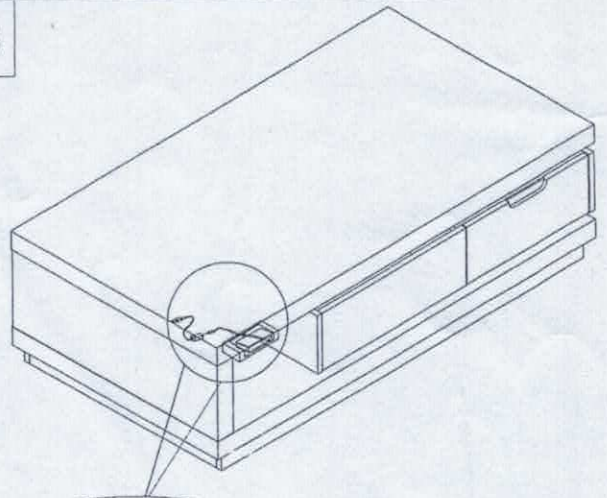
17




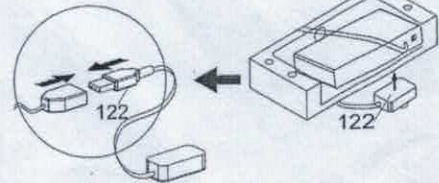
119	x1
	
127x71x19mm	



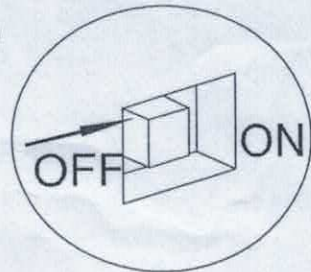
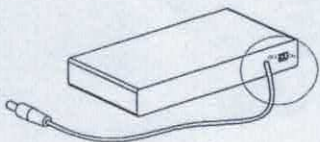
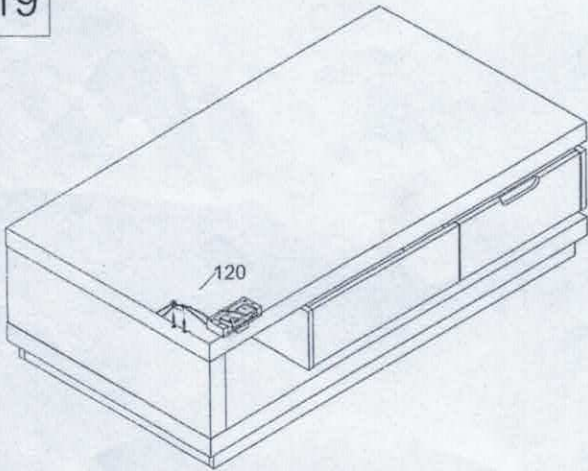
18




122	x1
	
41x21x12mm	



19



120	x1
	

20

